
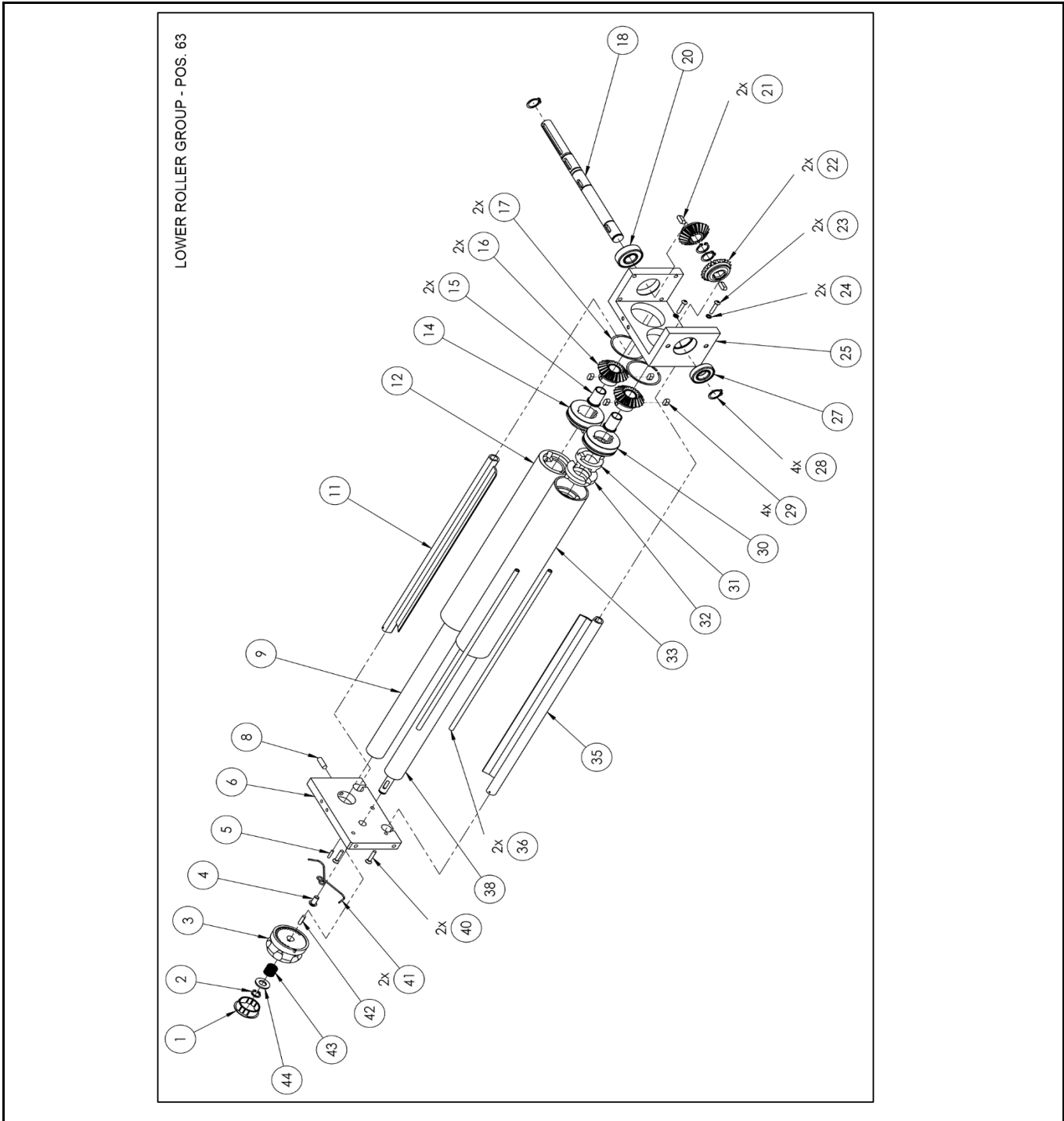



# Drawing

 <p><b>Hendi B.V.</b> Steenoven 21 3911 TX Rhenen The Netherlands</p>	<b>Batch #</b>	<b>Appliance part#</b>
	000000 and up	<b>226612</b>
	<b>Description</b>	
	Electric Dough Roller 500	

<b>Date</b>	25-06-2018	<b>Revision #</b>	1.0
<b>Revision</b>	First Bill of Materials (BOM)		



### Bill of materials (BOM)

 <b>Hendi B.V.</b> Steenoven 21 3911 TX Rhenen The Netherlands	<b>Batch #</b>	<b>Appliance part#</b>
	000000 and up	<b>226612</b>
	<b>Description</b>	
	<b>Electric Dough Roller 500</b>	


<b>Date</b>	25-06-2018	<b>Revision #</b>	1.0
<b>Revision</b>	First Bill of Materials (BOM)		

Item	Description	Part#	Quantity	Remark	Picture
1	Knob Cap	n/a	1		
2	Circlip Ø10	n/a	1		
3	Knob Thickness Adjustment	n/a	1		
4	Screw	n/a	1		
5	Screw M3X14	n/a	2	Obtain locally	
6	Roller Support (Left)	n/a	1		
8	Fixation Pin	n/a	1		
9	Cillindric Axle	n/a	1		
11	Dough Scraper (back)	941782	1		
12	Cillindric Shaft	941799	1		
14	Fixation Ring (cillindric)	n/a	1		
15	Bushing	n/a	2		
16	Bevel Gear (pinion)	n/a	2		
17	Lock Ring	n/a	2		
18	Drive Axle	n/a	1		
20	Ball Bearing	n/a	1	(6202 ZZ)	
21	Locking Key	n/a	2		
22	Bevel Gear (Drive)	926031	2		
23	Screw M3X14	n/a	2	Obtain locally	
24	Spring Washer M3	n/a	2	Obtain locally	
25	Roller Support (Right)	n/a	1		
27	Ball Bearing	n/a	1	(16002 2Z)	
28	Circlip Ø15	n/a	4		
29	Locking Key	n/a	4		
30	Fixation Ring (Eccentric)	n/a	1		
31	Coupling (Male)	926048	1		
32	Coupling (Female)	926055	1		
33	Eccentric Shaft	941805	1		
35	Dough Scraper (Front)	941812	1		
36	Stabelizing Rod	n/a	2		
38	Eccentric Axle	n/a	1		
40	Screw M3X14	n/a	2	Obtain locally	
41	Doug Scraper Spring	926086	2		
42	Locking Key	n/a	1		
43	Knob Spring	n/a	1		
44	Washer	n/a	1		
45					
	Gear Set (Cillindric)	941829	1	Items 14, 15, 16 and 29 (2X)	
	Gear Set (Eccentric)	941836	1	Items 15, 16, 29 (2X) and 30	

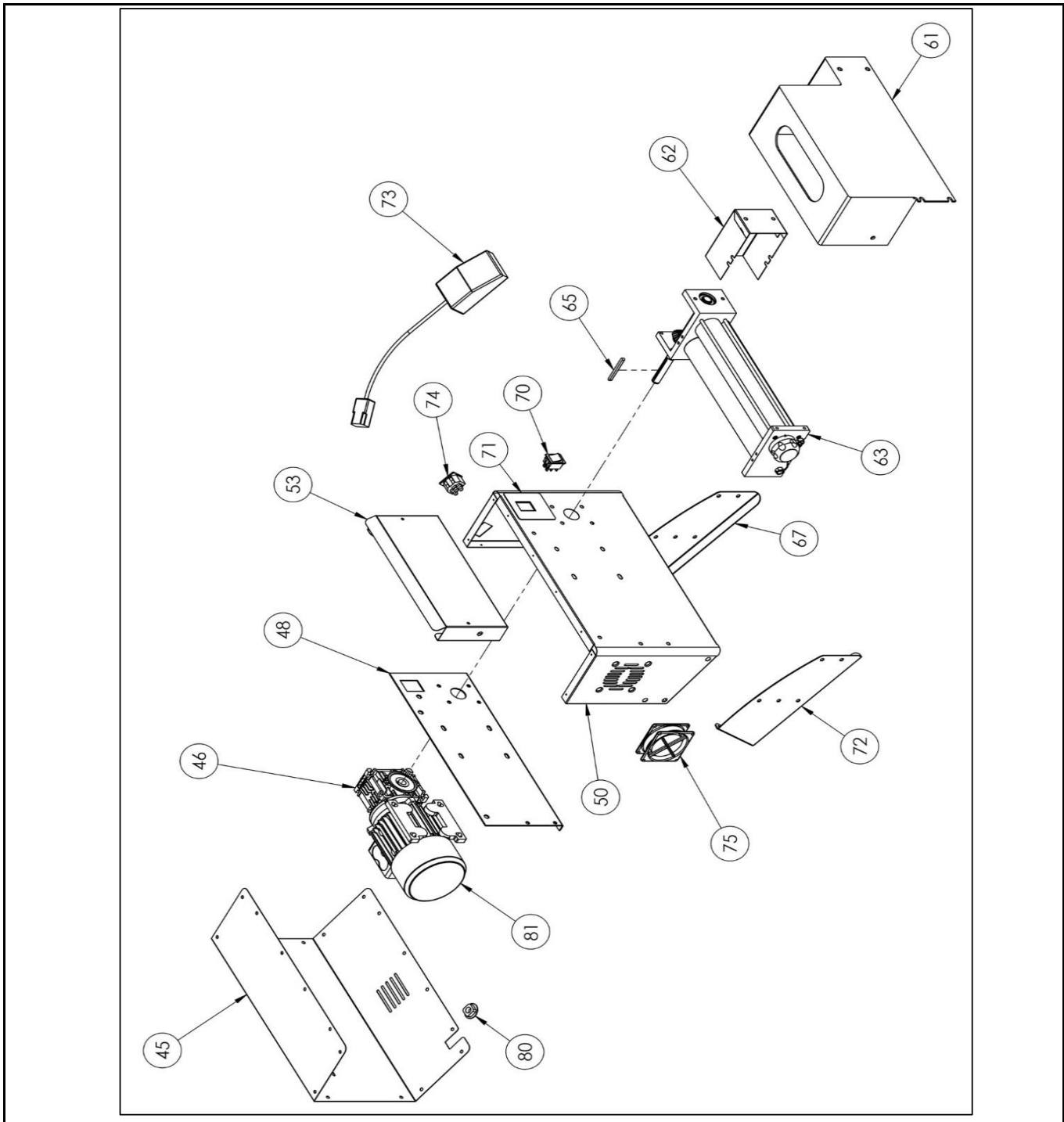
n/a -> not available

nss -> not sold separately


Drawing

 <p><b>Hendi B.V.</b> Steenoven 21 3911 TX Rhenen The Netherlands</p>	Batch #	Appliance part#
	000000 and up	226612
	Description	
	Electric Dough Roller 500	

Date	25-06-2018	Revision #	1.0
Revision	First Bill of Materials (BOM)		



**Bill of materials (BOM)**

 <b>HENDI</b> FOOD SERVICE EQUIPMENT  <b>Hendi B.V.</b> Steenoven 21 3911 TX Rhenen The Netherlands	<b>Batch #</b>	<b>Appliance part#</b>
	000000 and up	<b>226612</b>
	<b>Description</b>	
<b>Electric Dough Roller 500</b>		


<b>Date</b>	25-06-2018	<b>Revision #</b>	1.0
<b>Revision</b>	First Bill of Materials (BOM)		

Item	Description	Part#	Quantity	Remark	Picture
45	Back Cover	n/a	1		
46	Gearbox	933244	1		
48	Mounting Bracket for Motor	n/a	1		
50	Housing	n/a	1		
53	Feeder Slide	n/a	1		
61	Lower Protection Plastic	936238	1		
62	Gearbox Cover	n/a	1		
63	Roller Group (complete assembly)	n/a	1	Items 1 ~ 44 from Drawing 1	
65	Locking Key	n/a	1		
67	Foot (Right)	n/a	1		
70	Switch	926079	1		
72	Foot (Left)	n/a	1		
73	Pedal Control	936245	1		
74	Pedal connector	n/a	1	(C14 connector)	
75	Fan	n/a	1		
80	Power Cord Retention	n/a	1		
81	Motor	n/a	1	230 V 0.25KW	

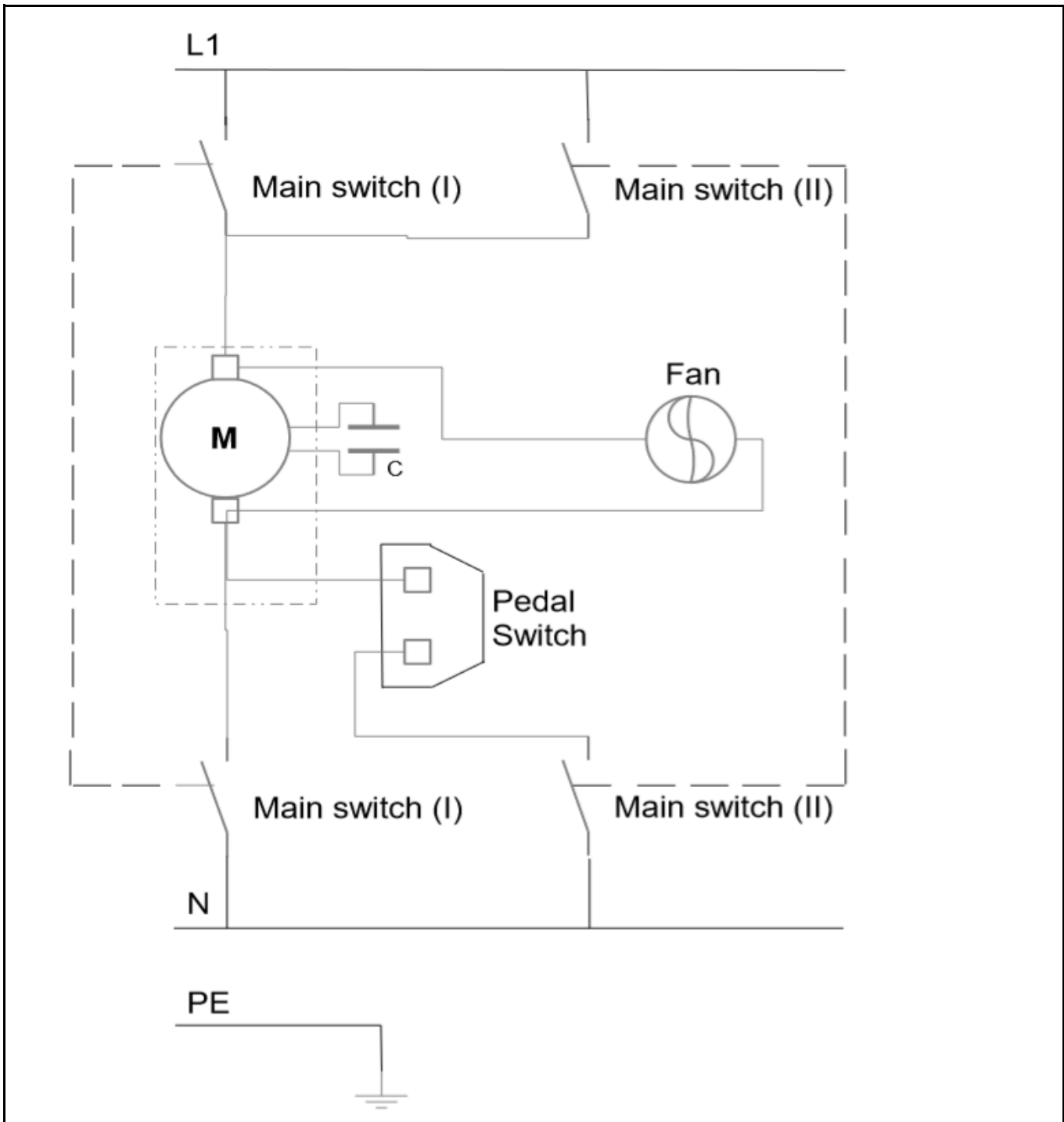
n/a -> not available

nss -> not sold separately


**Circuit diagram**

 <b>HENDI</b> FOOD SERVICE EQUIPMENT  <b>Hendi B.V.</b> Steenoven 21 3911 TX Rhenen The Netherlands	<b>Batch #</b>	<b>Appliance part#</b>
	000000 and up	<b>226612</b>
	<b>Description</b>	
	Electric Dough Roller 500	

<b>Date</b>	25-06-2018	<b>Revision #</b>	1.0
<b>Revision</b>	First Bill of Materials (BOM)		



### Wiring diagram

 <b style="font-size: 2em; color: red;">HENDI</b> <small>FOOD SERVICE EQUIPMENT</small>  <b>Hendi B.V.</b> Steenoven 21 3911 TX Rhenen The Netherlands	<b>Batch #</b>	<b>Appliance part#</b>
	000000 and up	<b>226612</b>
	<b>Description</b>	
	Electric Dough Roller 500	

<b>Date</b>	25-06-2018	<b>Revision #</b>	1.0
<b>Revision</b>	First Bill of Materials (BOM)		

